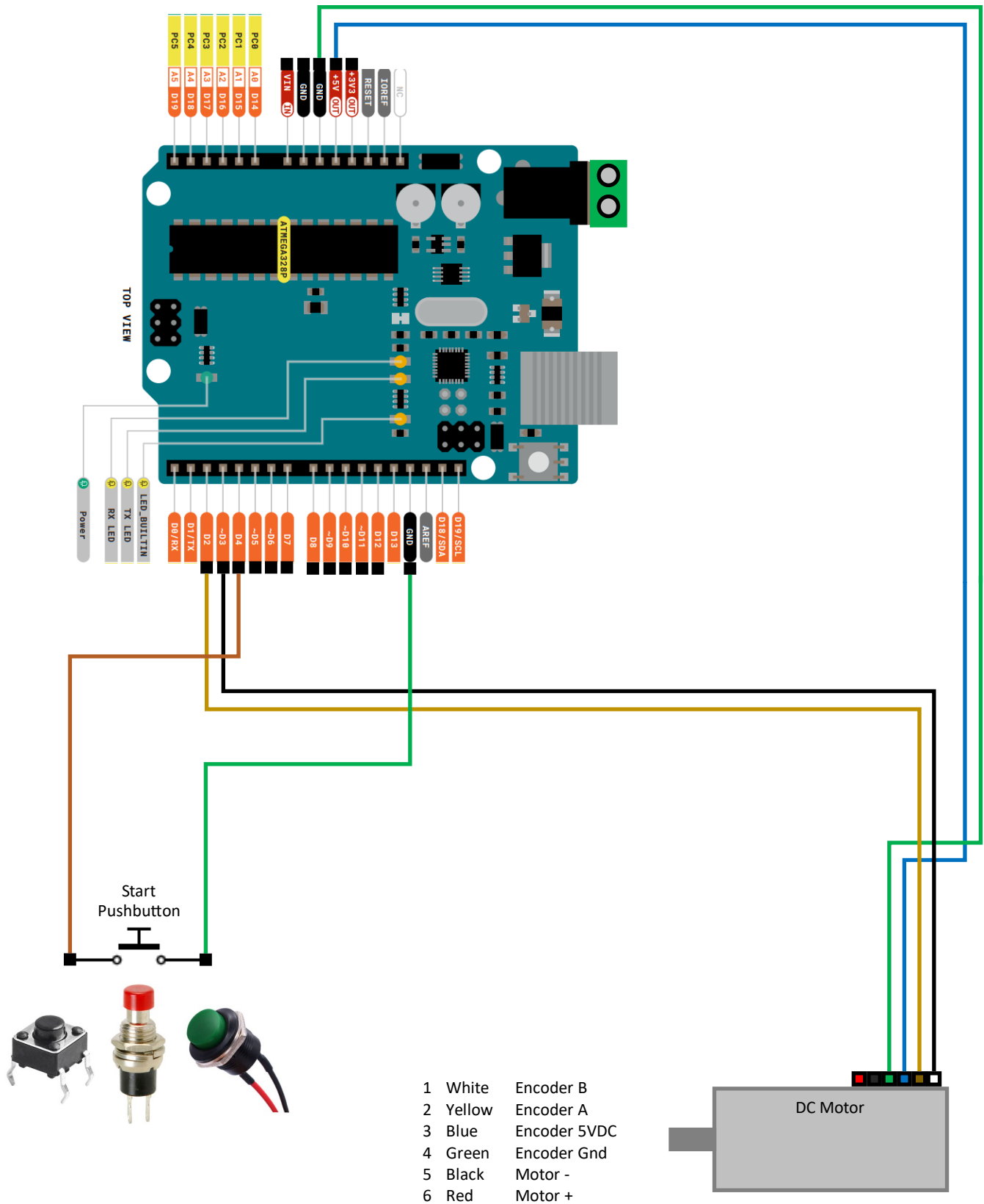


ELECTRIC VEHICLE - SAMPLE VEHICLE ENCODER AND START BUTTON WIRING



The information contained in this schematic is for general education purposes only. The information is provided by TopFinishKits.com and while we endeavor to keep the information up to date and correct, we make no representations or warranties of any kind, express or implied, about the completeness, accuracy, reliability, suitability or availability with respect to the this program, or the website, information, products, services, or related graphics contained on the website for any purpose. Any reliance you place on such information is therefore strictly at your own risk.