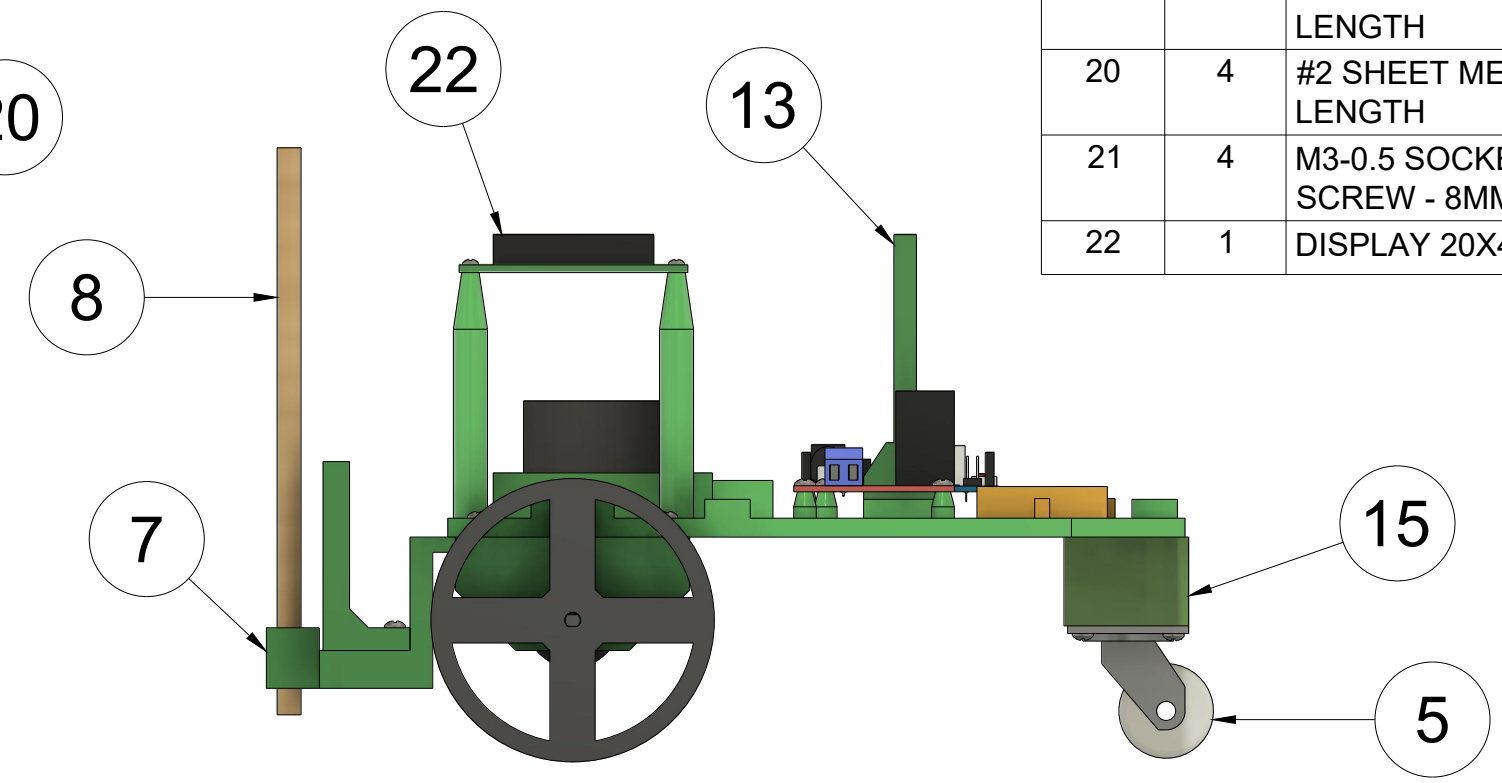
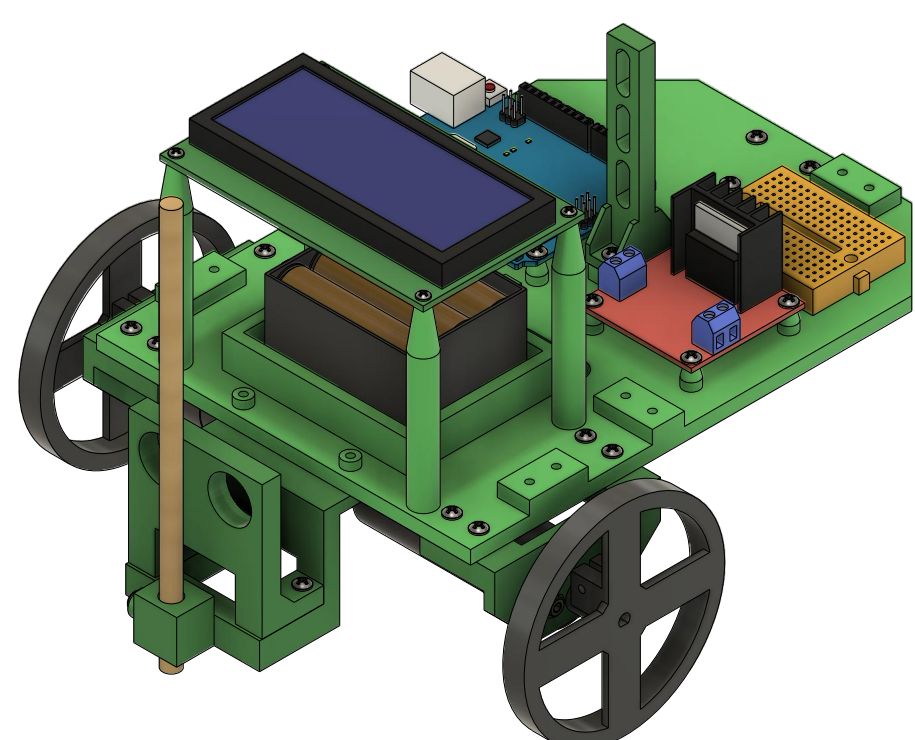
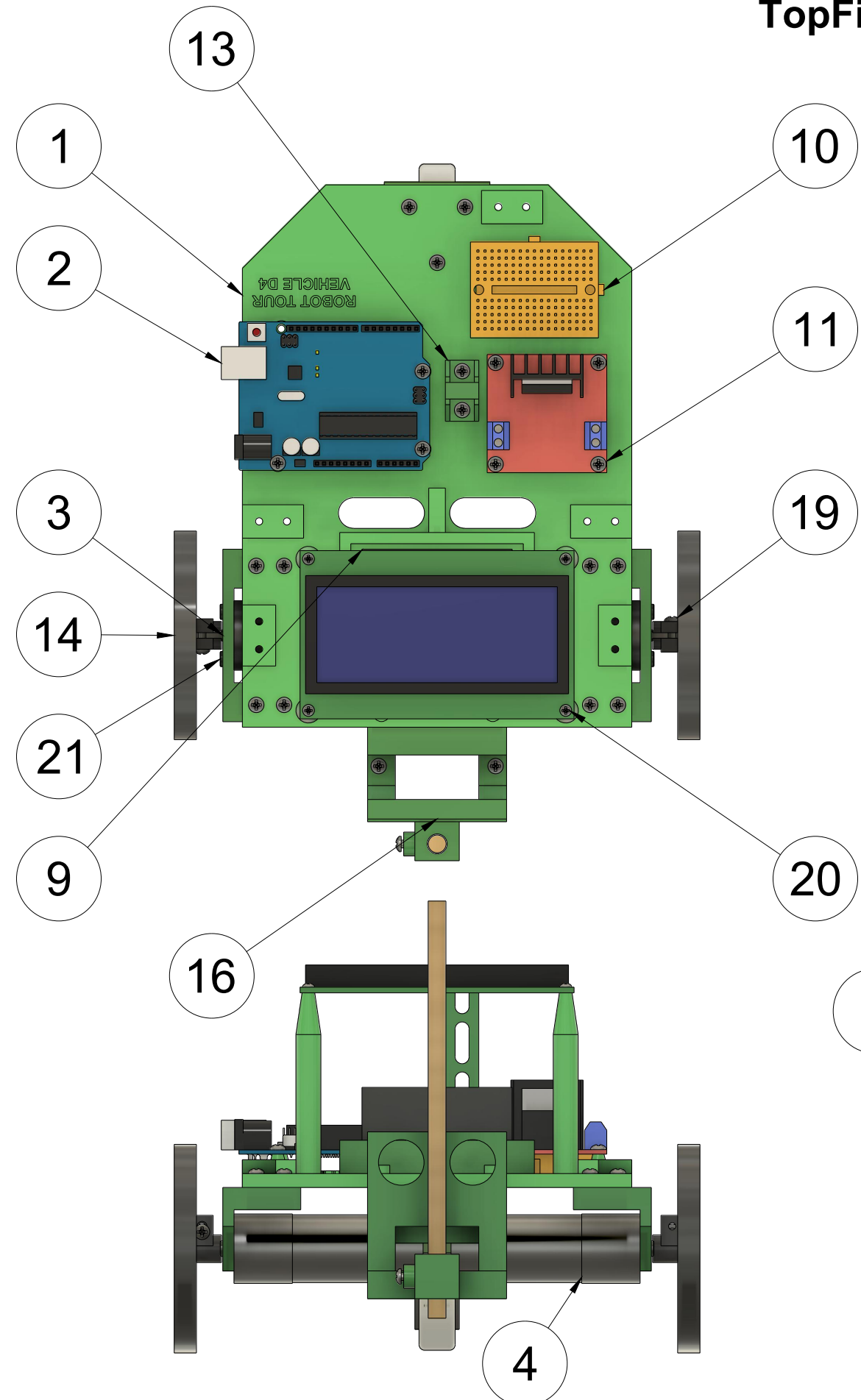


# TopFinishKits.com - Robot Vehicle D4



PARTS LIST		
ITEM	QTY	PART NUMBER
1	1	BASE PLATE D1 - 3D PRINTED
2	1	ARDUINO UNO
3	2	DC MOTOR MOUNT 19MM - 3D PRINTED
4	2	DC MOTOR 45-TO-1 - TS-25GA270H-45
5	1	CASTER WHEEL 1IN
7	1	DOWEL ROD HOLDER - 3D PRINTED
8	1	DOWEL ROD 1/4IN - 15CM LENGTH
9	1	AA BATTERY 6 HOLDER
10	1	BREADBOARD MINI
11	1	MOTOR DRIVER L298N
13	1	WIRING SECURE POST - 3D PRINTED
14	2	WHEEL 75MM 4MM - 3D PRINTED
15	1	CASTER SPACER 75MM WHEEL
16	1	ULTRASONIC HOLDER - 3D PRINTED
19	31	#4 SHEET METAL SCREW - 3/8IN LENGTH
20	4	#2 SHEET METAL SCREW - 3/8IN LENGTH
21	4	M3-0.5 SOCKET HEAD CAP SCREW - 8MM LENGTH
22	1	DISPLAY 20X4